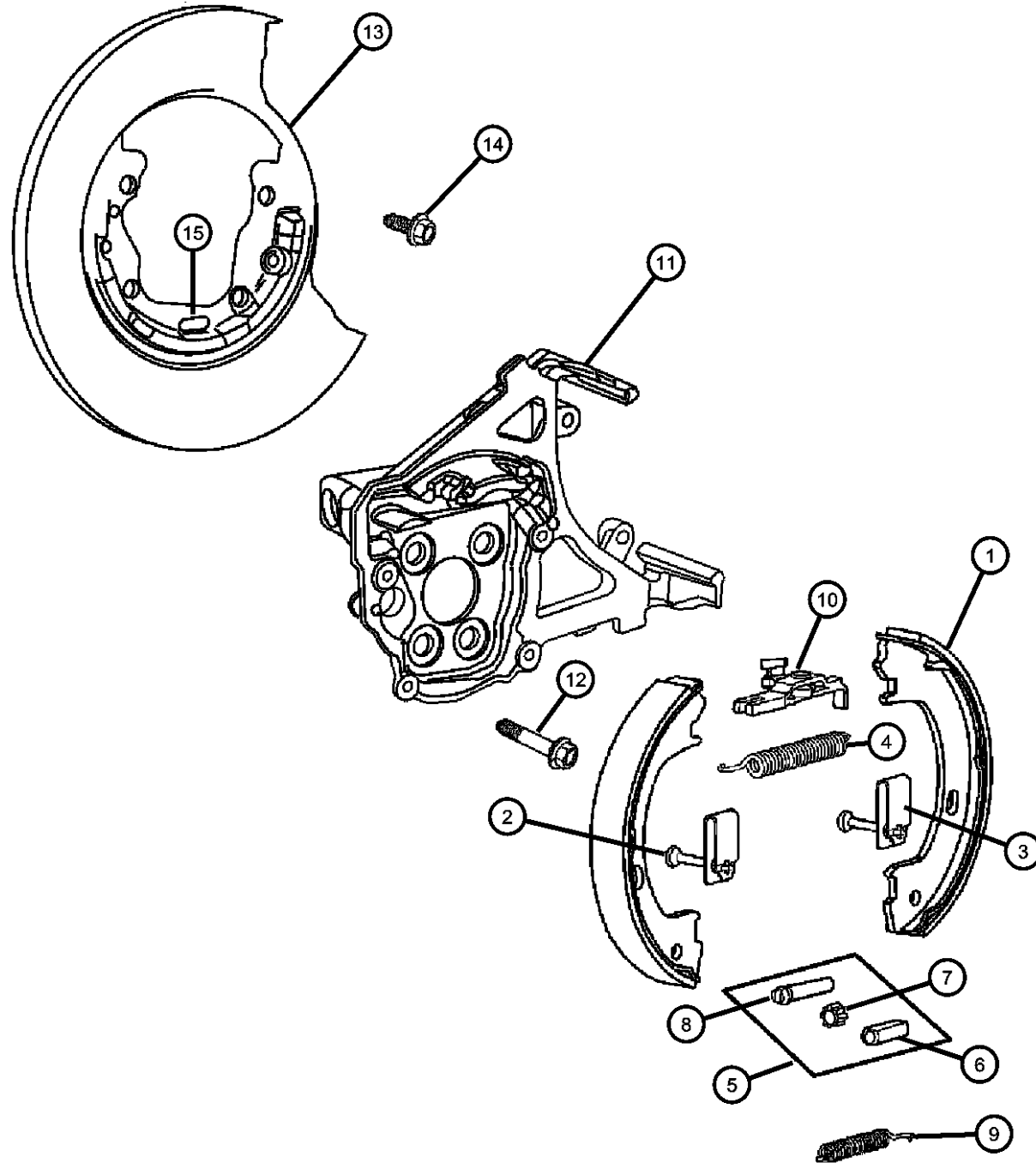


**Park Brake Assembly, Disc  
Figure 4-110**



ITEM	PART NUMBER	QTY	LINE	SERIES	BODY	ENGINE	TRANS	TRIM	DESCRIPTION
1	05073647AA BHKP7300 V2013036	1							SHOE AND LINING, Parking Brake Mopar Parking Brake Hardware Kit Mopar V-Line Alternative Part
2	04238733	1							PIN, Brake Shoe Hold Down
3	04383543	1							CLIP, Brake Shoe Hold Down
4	04383541	1							SPRING, Park Brake Shoe Return
5	05015001AA	1							ADJUSTER PACKAGE, Contains; Screw, Nut
6	04509504	1							SOCKET, Brake Adjusting Screw
7	04383539	1							NUT, Parking Brake Adjusting
8	04509503	1							SCREW, Parking Brake
9	05014930AA	1							SPRING, Park Brake Shoe Return
10									LEVER, Park Brake Adjusting
	05073645AA	1							Right
	05073648AA	1							Left
11									ADAPTER, Disc Brake Caliper
	05073646AA	1							Right
	05073649AA	1							Left
12	06502146	8							BOLT, Hex Head, Adapter Mounting
13									SHIELD, Brake
	04728110	1							Right
	04728111	1							Left
14	04723981	1							SCREW, Rear Brake Dust Shield to Adapter
15	04238721	1							PLUG, Brake Adjusting Hole

**PT CRUISER (PT)**

SERIES      LINE  
H = HIGHLINE      C = CHRYSLER  
(Classic)            Z = CHRYSLER (RHD)  
P = PREMIUM  
(Touring)  
S = SPORT  
(Limited)

BODY  
44 = 4 Door  
27 = 2 Door Convertible

ENGINE                      TRANSMISSION  
EDJ = Engine - 2.2L 4 Cyl      DD5 = A578 5 Speed Manual  
Turbo Diesel                      DDD = 5 Speed Man 21M5  
EDV = Engine - 2.4L I4 DOHC      DGL = 4 Speed Automatic 41TE  
16V H.O. Turbo  
EDZ = Engine - 2.4L 4 Cyl  
DOHC 16V SMPI  
EJD = Engine - 1.6L 4 Cyl  
SOHC 16V SMPI  
EDT = Engine - 2.4L I4 DOHC  
16V Turbo

AR = use ase required - = Non illustrated part

2005 PT